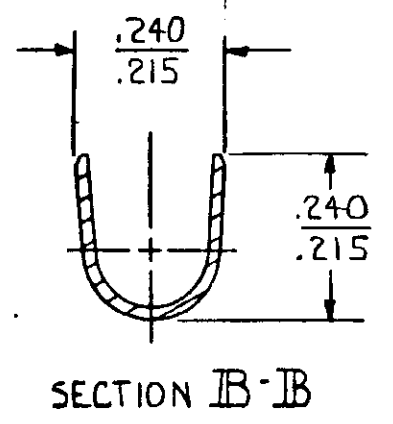
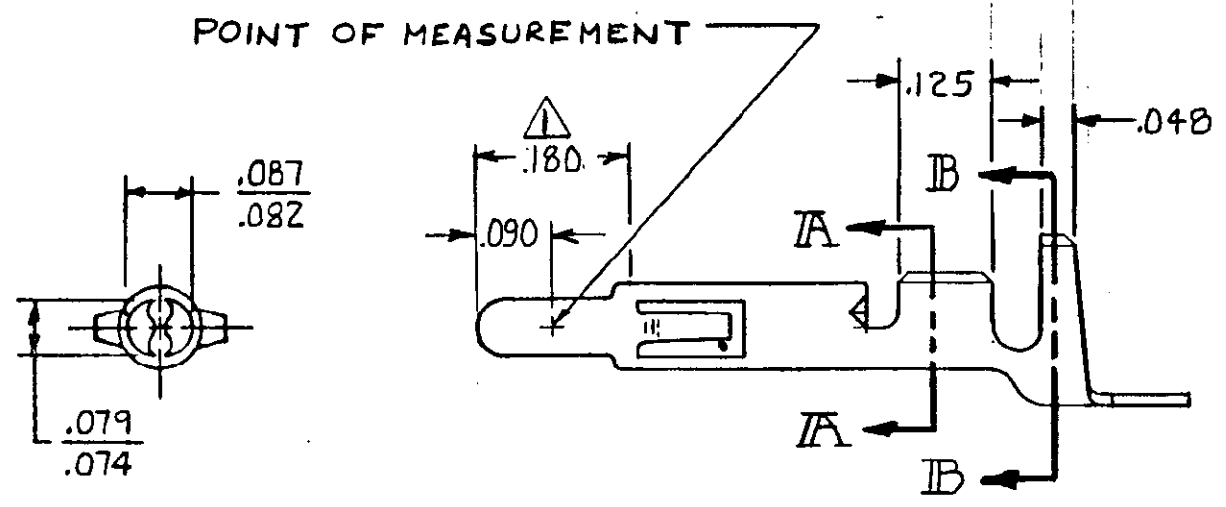
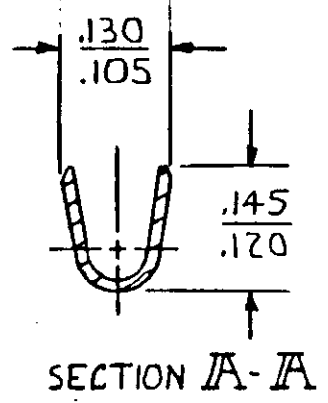
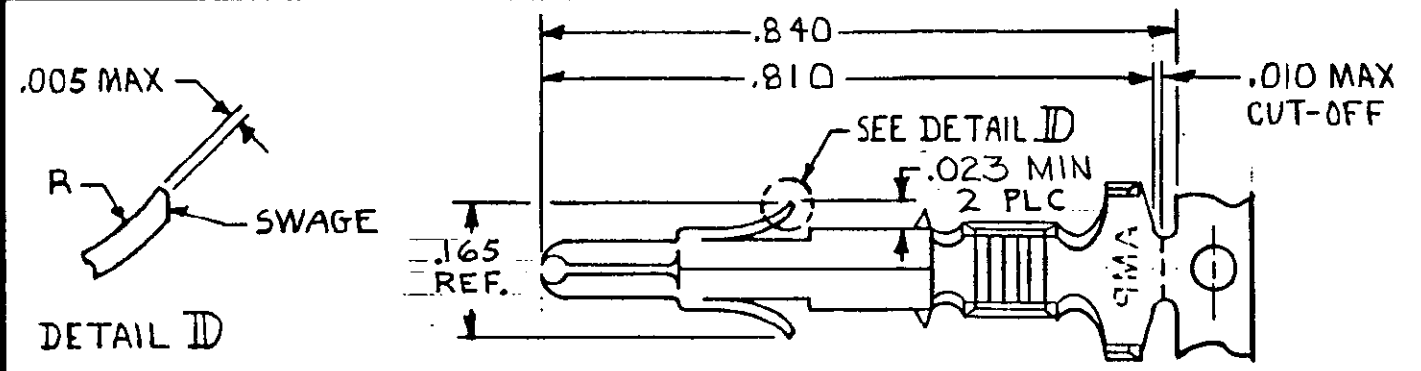


© COPYRIGHT 1974 BY AMP INCORPORATED, HARRISBURG, PA.
 ALL INTERNATIONAL RIGHTS RESERVED. AMP INCORPORATED PRODUCTS
 COVERED BY U. S. AND FOREIGN PATENTS AND/OR PATENTS PENDING.



		REVISIONS				
P	F	ZONE	LTR	DESCRIPTION	DATE	APPROVED
✓	✓		L	REDRAWN W/O CHANGE	M-6457 6-5-81	MSF/AH
✓	✓		M	REVISED	M-7350 7/25/83	DAS/DH
✓			N	REVISED	AG 57 11/20/83	S. Wheeler S. James
✓			P	ADDED -8 PER TTI 84-23	7/7/84	MC TW
✓			R	REV PER ECN CM 51	12/12/84	TB/RS
✓			R1	RESTORED	4/23/85	MC RS
✓			S	REV PER ECN CM-956	3-17-87	PKC TB
✓			T	REVISED PER CM-1728	9-6-88	PH TB
✓			U	REV PER EC 0730-3607-91	1-7-94	RV RS
			V	RLSD -11 PER EC0730-0088-96	4-30/96	JH RS

LOOSE PIECE (REF)	MATERIAL	FINISH	PART NO
350707-7	.012 BRASS	GOLD	350700-7
350707-2	.012 PH BR2	PRE-TIN	350700-3
350707-1	.012 BRASS	GOLD	350700-2
		PRE-TIN	350700-1

- ① PLATED WITH .000030 GOLD, OVER .000050 NICKEL UNDERPLATE.
- ② GOLD OVER NICKEL ON ENTIRE STAMPING; .000030 GOLD MINIMUM AT POINT OF MEASUREMENT IN CONTACT AREA, GOLD FLASH MINIMUM IN WIRE BARREL.
- ③ PACKAGED AND SOLD IN PALLET LOADS ONLY, 44 REELS PER PALLET (110,000 CONTACTS).

UNLESS OTHERWISE SPECIFIED DIMENSIONS ARE IN INCHES. TOLERANCES ON: DECIMALS ±.015 ANGLES ±	CONTRACT NO		AMP AMP INCORPORATED Harrisburg, Pa.	
	DR m. Feher 4-13-81		NAME SPLIT PIN, UNIVERSAL MATE-N-LOK	
WIRE RANGE 20-14 AWG	CHK D.S. Heide 6/9/81		SIZE B	CODE IDENT NO 00779
INSULATION RANGE .200 DIA MAX	APPD R. Polak 6-10-81		DRAWING NO 350700	
	DSGN APPD		SCALE 4-1	SHEET 1 OF 1
	OTHER APPD			